

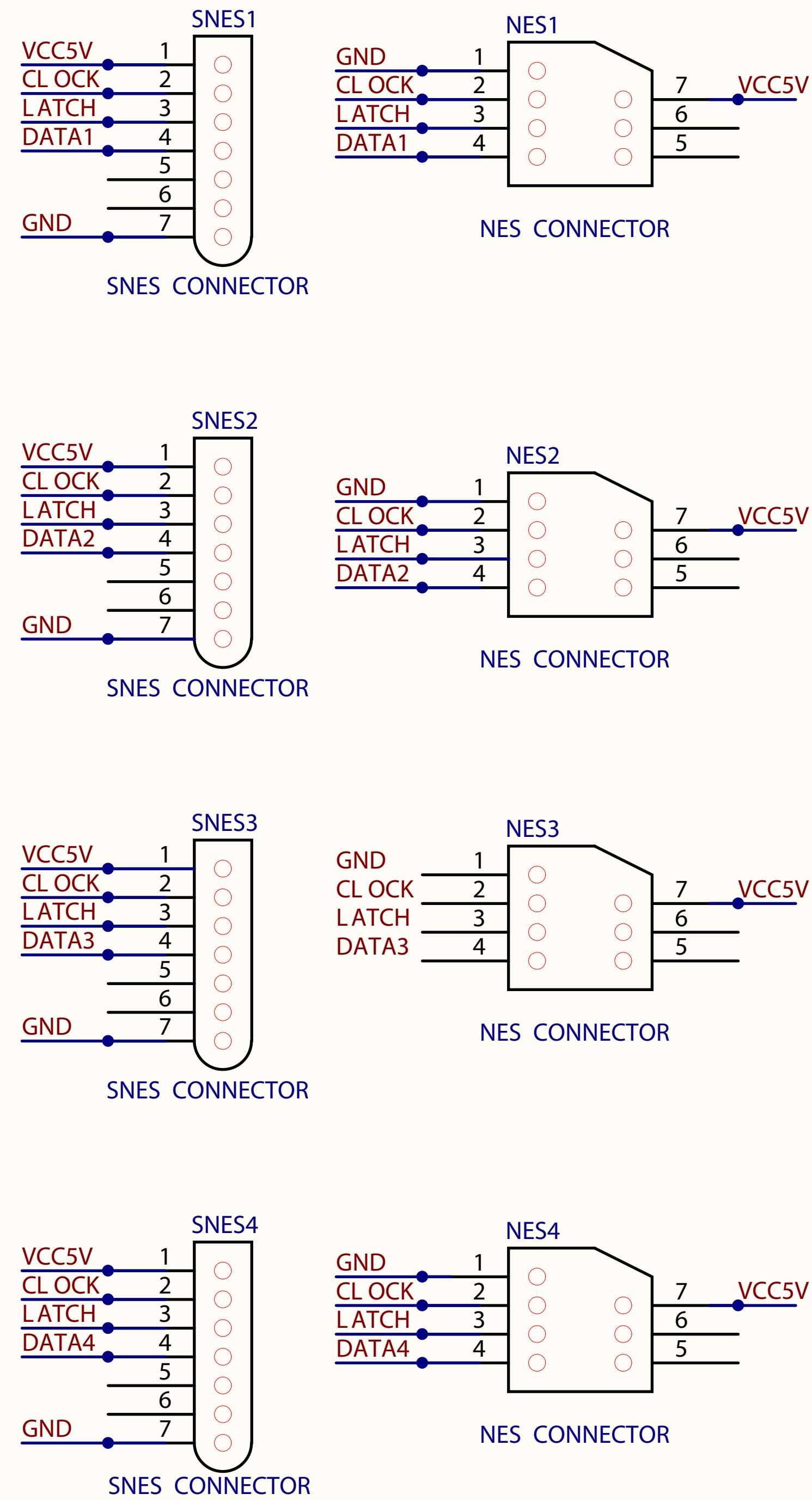
NOTE:

CRYSTAL 8 MHZ OR 16MHZ.

PROGRAM FILES:

- AT90USB1624SNESREVB8MHZ.HEX
- AT90USB1624SNESREVB16MHZ.HEX
- AT90USB1624NESREVB8MHZ.HEX
- AT90USB1624NESREVB16MHZ.HEX
- AT90USB1624SNES-NESREVA8MHZ.HEX

USING ATMEL FLIP PROGRAMING SOFTWARE.  
 CONNECT 4 SNES OR 4 NES OR ANY COMBINATION .



Title  
**AT90USB162 4SNES/NES TO USB**

Size	Number	Revision
Letter	MEGA-EMU.COM	A
Date:	8/4/2012	Sheet of 1
File:		Drawn By: ANDYMAN