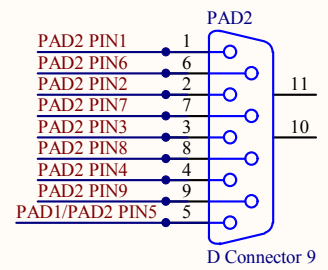
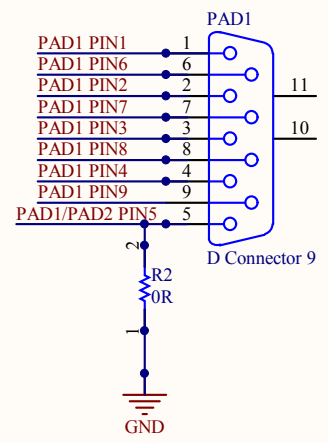


NOTE:
 PROGRAM WITH
 AT90USB162COLECOVISIONREVA.HEX
 OR AT90USB162INTVREVA.HEX
 USING ATMEL FLIP PROGRAMING SOFTWARE.
 TO USE WITH INTELLIVISION CONTROLLERS
 YOU MUST REMOVE R6,R7,R9.
 TO USE WITH COLECOVISION CONTROLLERS
 YOU MUST REMOVE R2,R8,R10.



Title AT90USB162 INTELLIVISION/COLECO		
Size A	Number MEGA-EMU.COM MEGA-EMU@HOTMAIL.COM	Revision B
Date: 1/29/2013	Sheet of	
File: D:\usbmegaemu\..AT90USB162intvcoleco	Author: ANDYMAN	