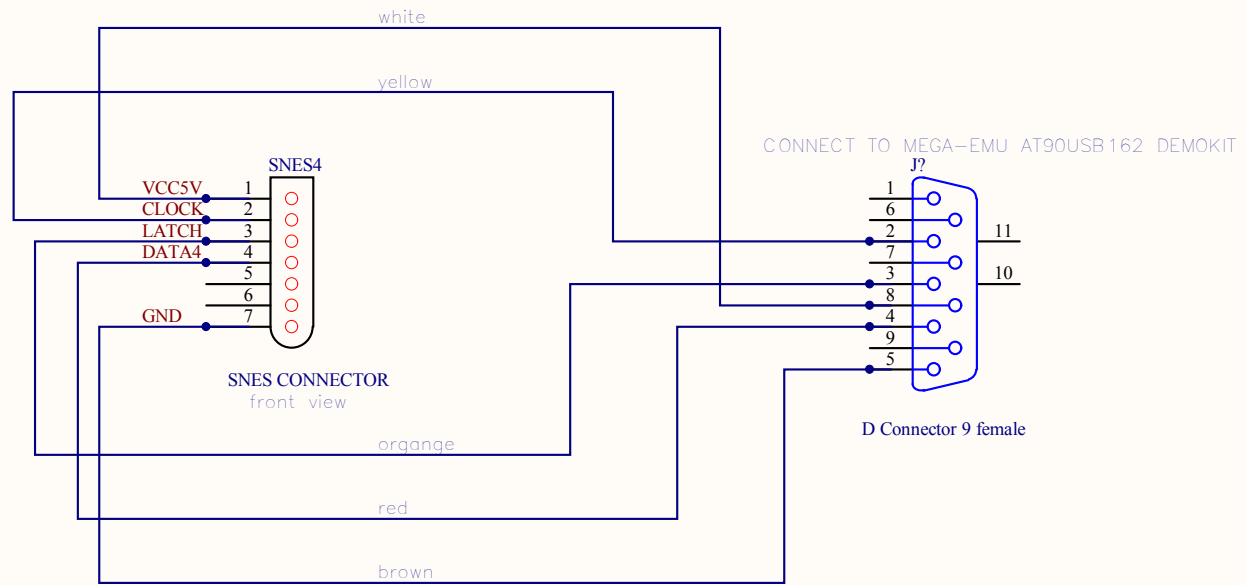
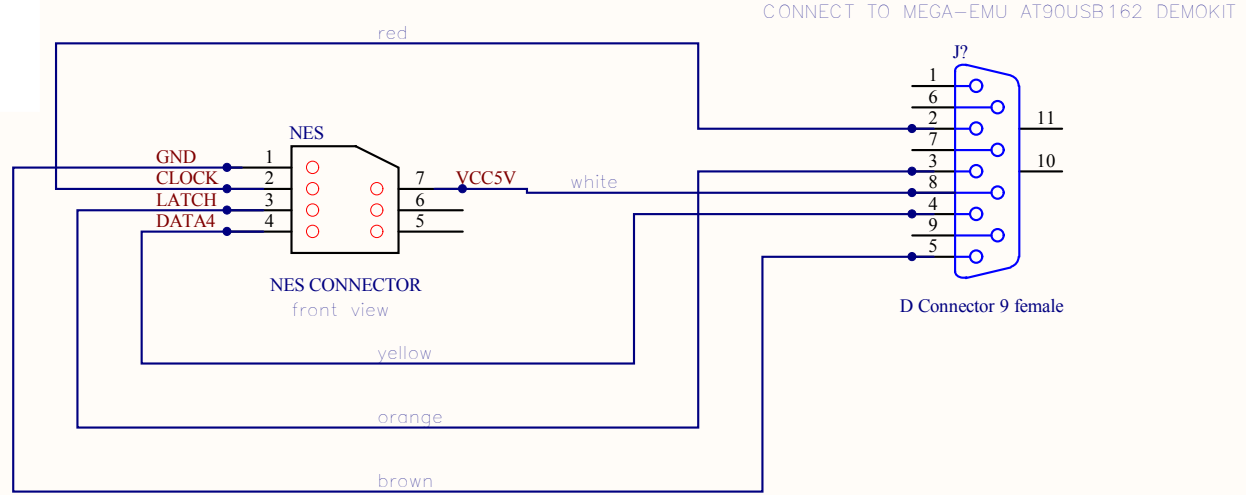


NOTE:

It is getting hard to find the SNES and NES connectors .
The easy way to connect the game pads to the at90usb162 demo kit, is to cut the connectors off the game pads and replace them with a female DB9 connector.



Title		
MEGA-EMU SNES/NES AT90USB162 DEMOKIT SNES NES CABLE CONNECTION		
Size	Number	Revision
A		REVA
Date:	9/5/2013	Sheet of 1 OF 1
File:	C:\snes nes cables.SchDoc	Drawn By: MEGA-EMU.COM