

LICENSE AND DISCLAIMER AGREEMENT

IMPORTANT: PLEASE READ BEFORE USING THIS MEGA-EMU PCB SCHEMATIC

This license and disclaimer statement constitutes a legal agreement ("License Agreement") between you (either as an individual or a single entity) and MEGA-EMU.COM (the "DESIGNER").

By downloading, copying, or otherwise using the MEGA-EMU PCB schematic, you agree to be bound by all of the terms and conditions of this license and disclaimer agreement.

If you do not agree with the terms and conditions of this agreement, you must stop all use of this schematic.

The MEGA-EMU PCB schematic is for private and non-commercial use.

For commercial use, you must pay licensing fees. (CONTACT MEGA-EMU.COM FOR DETAILS)

You may not modify, reverse engineer, the MEGA-EMU PCB schematic in anyway without written permission from the owner ("MEGA-EMU.COM")

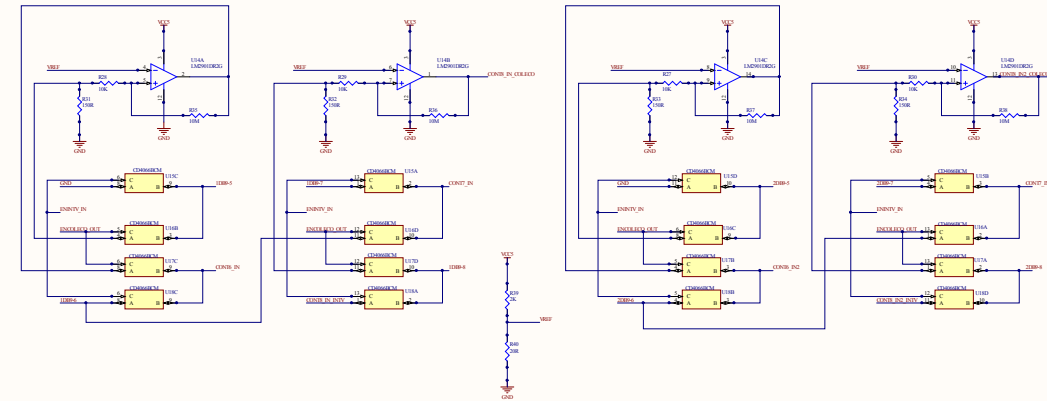
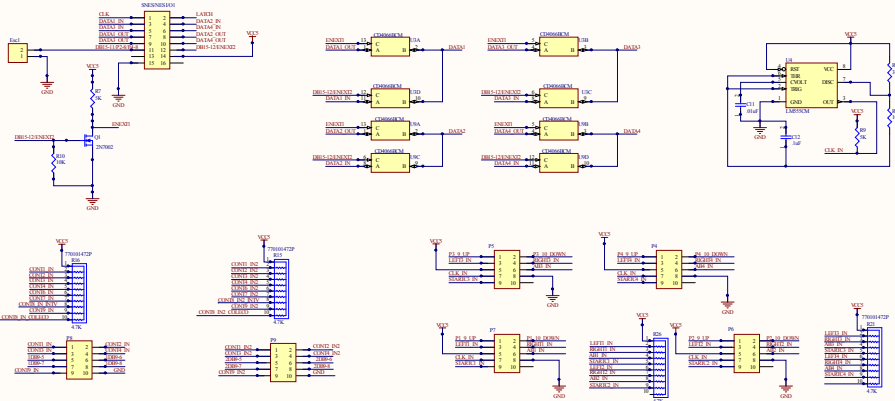
This MEGA-EMU PCB schematic is provided "as is" and without any warranties.

In no event shall MEGA-EMU.COM be liable for any damages whatsoever.

THE LICENSE AND DISCLAIMER AGREEMENT MUST STAY AS PART OF THE MEGA-EMU PCB SCHEMATIC.

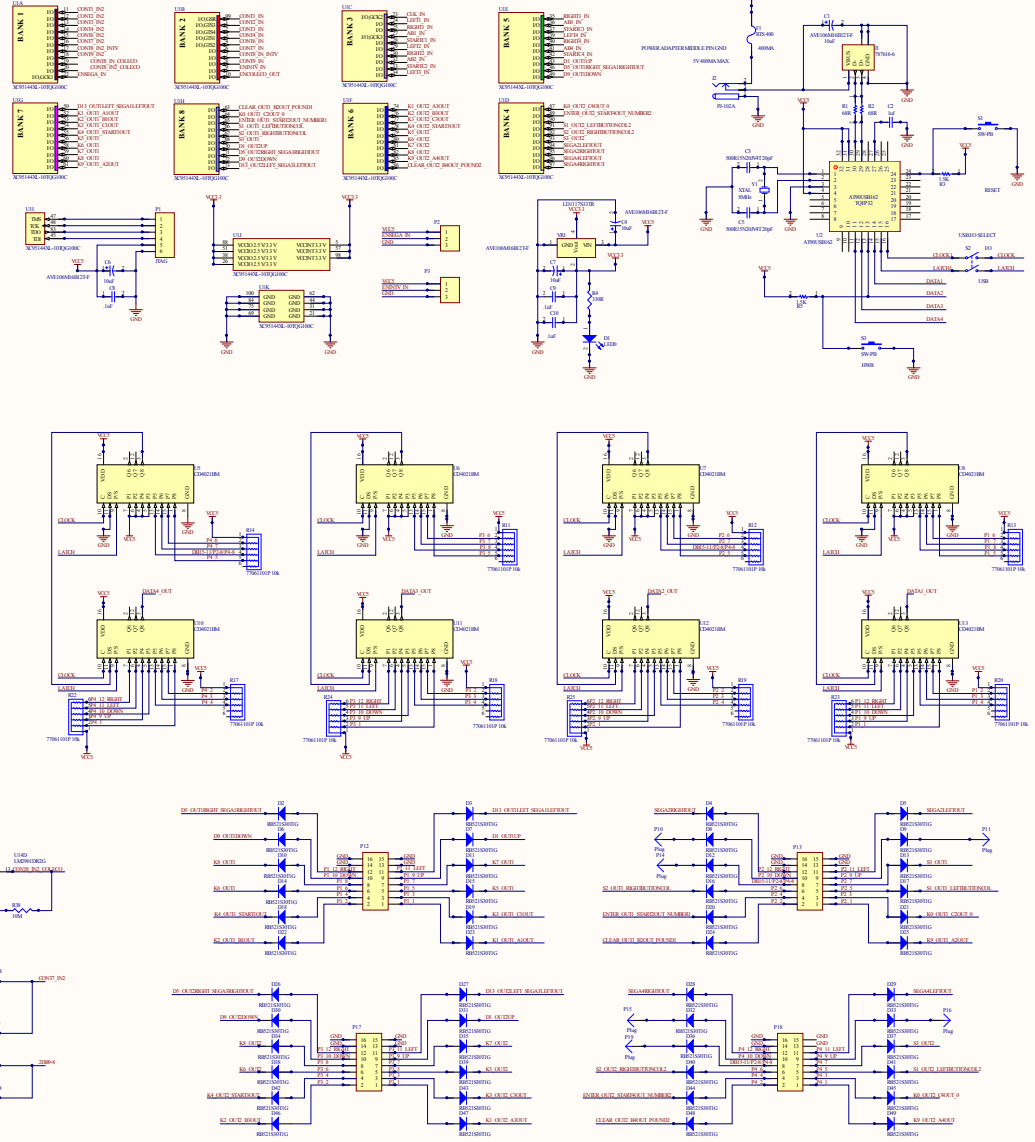
NOTE: PLSNESIES CONNECTOR APPLICATIONS

- 1) 8-PIN PARALLEL PORT (FOR SERIAL/ANALOG, DIRECT ADDRESSING, ANALOG OR PROGRAMMING DEVELOPMENT)
- 2) 4-PIN DATA DEVELOPMENT (FOR SMALL I/O)
- 3) 4-PIN CLOCK/ADDRESS, ADDRESS/ADDRESS, ADDRESS/ADDRESS, ADDRESS/ADDRESS
- 4) ALL PINS SHOULD BE USED IN ENGINEERING PRODUCTION



NOTE: THE PROGRAMMING FILE FOR THE XC9514XL-10TQ100C IS MEGAEMU3.jed

NOTE: THE PROGRAMMING FILE FOR AT90USB162 IS AT90USB162SNES-NESREV8M2.hex



MEGA-EMU PCB			
REV	01	Author	MEGA-EMU.COM
REV	01	Revision	REV C
REV	01	Date	2023-10-27
REV	01	Drawn by	MEGA-EMU.COM